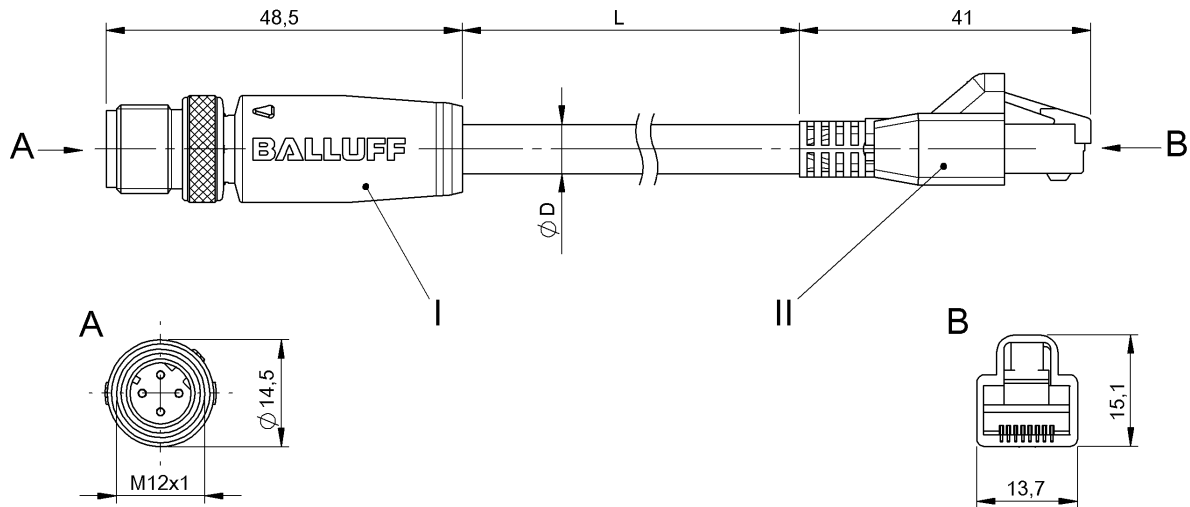


Double-Ended Cordsets  
**BCC M414-E894-8G-672-ES64N9-150**  
**Order Code: BCC0E8W**

**BALLUFF**



**Basic features**

<b>Application</b>	Ethernet, CAT 5
<b>Approval/Conformity</b>	CE cULus WEEE

**Electrical connection**

<b>Bending radius min., flexible cable</b>	10 x D
<b>Cable</b>	TPE Shielded teal, 15 m, drag chain compatible
<b>Cable diameter D</b>	6.10 mm ±0.25 mm
<b>Cable, bending cycles min.</b>	10 mil.
<b>Cable, note</b>	Ethernet, CAT 5E
<b>Conductor cross-section</b>	24 AWG
<b>Connection 1</b>	M12x1-Male, straight, 4-pin, D-coded
<b>Connection 2</b>	RJ45-Male, straight, 4-pin
<b>Number of conductors</b>	4
<b>System</b>	Molded/assembled

**Electrical data**

<b>Cable rated voltage AC max.</b>	600 V
<b>Cable rated voltage DC max.</b>	600 V
<b>Conductor construction</b>	2x2 twisted-pair
<b>Conductor resistance</b>	≤ 26.0 Ohm/1000 ft
<b>Coupling resistance max.</b>	100 Ohm ±15 Ohm
<b>Operating capacitance</b>	13.5 pF/ft
<b>Operating voltage Ub</b>	42 VDC / 30 VAC
<b>Rated current (40 °C)</b>	1.0 A
<b>Transfer rate</b>	10/100 Mbit/s

**Environmental conditions**

<b>Cable temperature, flexible routing</b>	-40...80 °C
<b>IP rating</b>	IP67/IP20

**Material**

<b>Cable jacket material, note</b>	Shielded
<b>Cable jacket, material</b>	TPE
<b>Cable shield</b>	Aluminum foil and copper braid
<b>Material contact carrier</b>	PUR/PBT
<b>Material contacts</b>	Brass/Phosphor bronze, gold plated
<b>Material cover nut</b>	Brass nickel-plated
<b>Material grip</b>	PUR/PVC

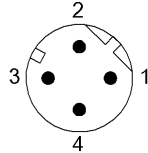
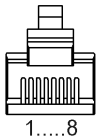
**Mechanical data**

<b>Cable jacket, color</b>	teal
<b>Cable length L</b>	15.00 m
<b>Cable properties</b>	drag chain compatible
<b>Tightening torque pigtail</b>	0.6 Nm/-

Remarks

Cable construction acc. to UL CMX Outdoor or AWM Style 2463  
 Enclosure rating per IEC 60529 or ISO 20653, only in screwed state with the associated mating piece.

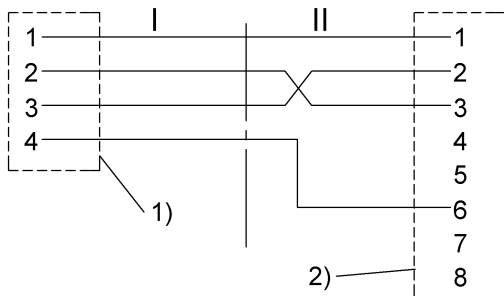
**Connector Drawings**



- II
- PIN 1: white/orange
  - PIN 2: orange
  - PIN 3: white/green
  - PIN 4: not used
  - PIN 5: not used
  - PIN 6: green
  - PIN 7: not used
  - PIN 8: not used

- I
- PIN 1: white/orange
  - PIN 2: white/green
  - PIN 3: orange
  - PIN 4: green

**Wiring Diagrams**



- 1) Shield on cover nut
- 2) Shield on housing